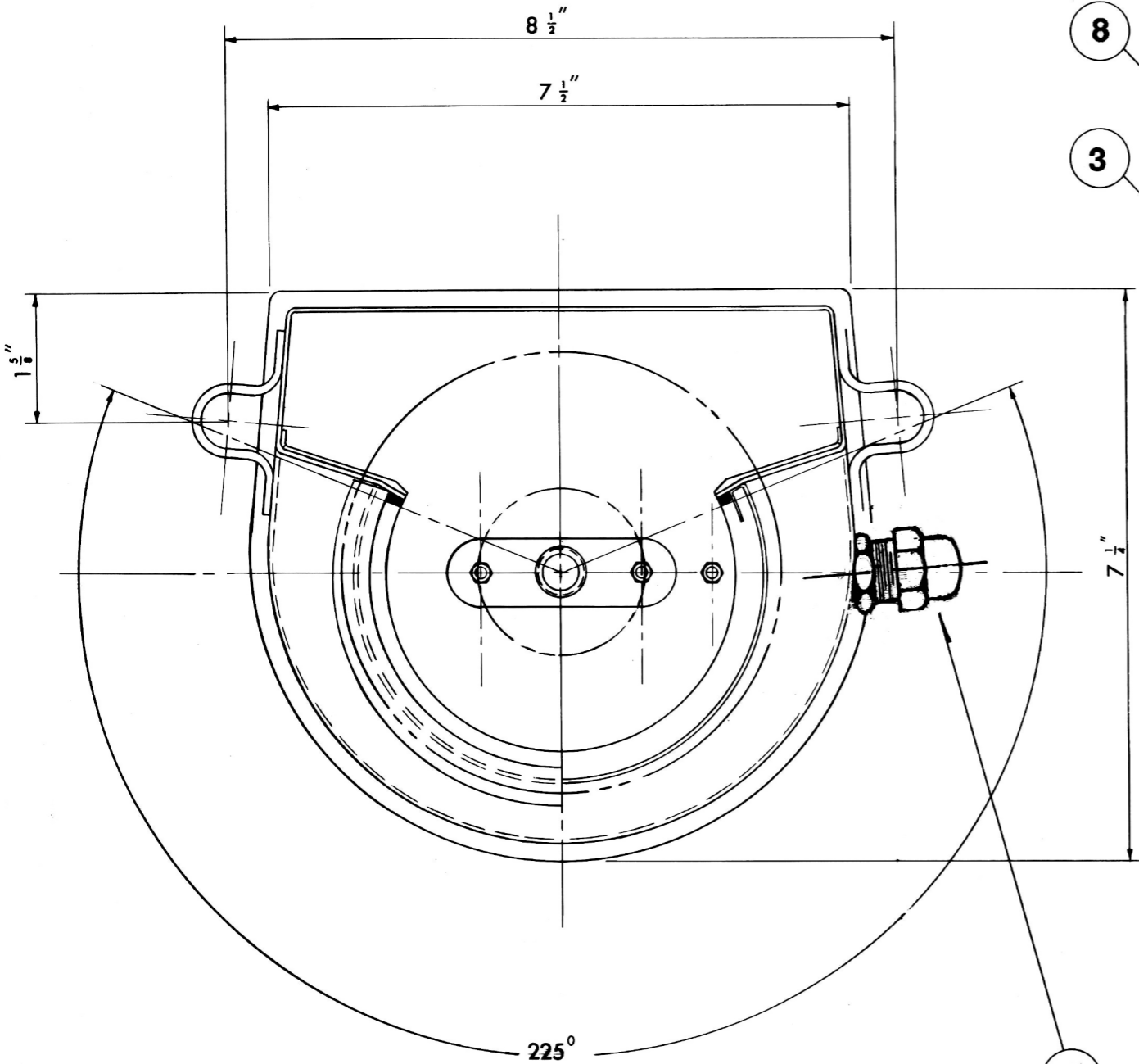
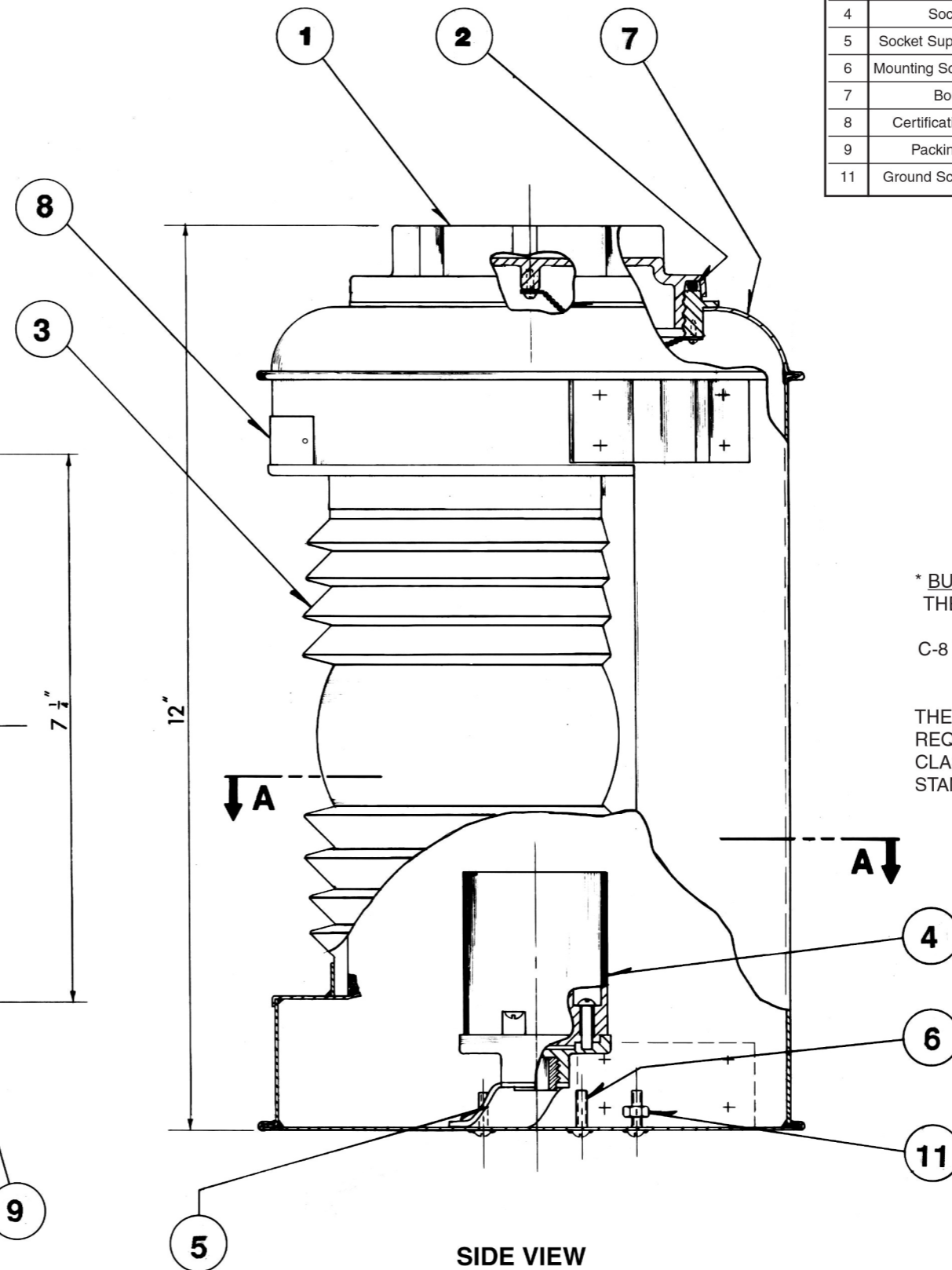


NOTE:

WIRE ONLY THROUGH TERMINAL TUBE USING 16/3 SJO CABLE WITH A 7/16 INCH NOMINAL O.D. TO RETAIN WATERTIGHT INTEGRITY AND COMPLY WITH U.L. 1104.



CROSS SECTION A-A



SIDE VIEW

Bill of Material

No	Item	No. Req.	Material	Size & Specifications
1	Cap and Cable	1	PolyCarb Cap S.S. Cable	Cat. No. 1105000BLK
2	O-Ring Cat. No. 1119	1	Neoprene	4-5/8 x 4-1/4 x 1/8
3	Lens	1	PolyCarb	(See Note #1)
4	Socket	1	Phenolic	(See Note #2)
5	Socket Support Stand	1	Brass	Cat. No. 341001PLB
6	Mounting Screw Socket	2	Stainless Steel	8-32 x 3/4 Inch R.H.
7	Body	1	Brass or Galv Steel	20 Ga. - .032
8	Certification Plate	1	Brass	Not Available
9	Packing Nut	1	Polycarb.	For 7/16 Inch Cable
11	Ground Screw & Nut	1	Stainless Steel	8-32 x 3/4 Inch R.H.

Notes

- Lens - White (Clear) American made fresnel, 225°, PERKO Cat. No. 0256001WHT.
- Socket - Medium Prefocus Phenolic, 250 Volts - 1000 Watts Bryant No. 3743, U.L. Listed. (Fig. No. 034700A).
- Weight - 5 Lbs.

Visibility & Lamp Wattage Specifications*

For Vessels 20 Meters (65.6 ft.) to 50 Meters (164.0 ft.) in Length.

Fig. No.	Description	Visibility Arc	Visible Miles	Req. Watts	Lamp Fig. No.
1151EO1	White-Masthead	225°	5	40	0342003CLR

* BULB DATA:
THESE ARE SPECIAL PERKO NAVIGATION LAMPS, 120 VOLTS, T-10, MEDIUM PREFOCUS BASE, C-8 FILAMENT, CLEAR, 2-3/8 L.C.L, AND MUST BE USED TO MEET THE 1972 COLREGS.

THESE NAVIGATION LIGHTS MEET U.S. COAST GUARD REQUIREMENTS UNDER THE 1972 COLREGS AND ARE CLASSIFIED BY UNDERWRITERS LABORATORIES STANDARD UL 1104 TO MEET THE 1972 COLREGS.

PERKO®

16490 N.W. 13th Avenue Miami, FL 33169-5707

Date: 8-9-89 Drawn By: D. Beutler

Scale: None Revised: 12/02/08



Fig. 1151EO1 White Masthead Navigation Light

NAVIGATION LIGHT CERTIFICATE OF COMPLIANCE

This navigation light has been tested and classified by UNDERWRITERS' LABORATORIES, INC. (UL) in accordance with the '72 COLREGS and the U.S. INLAND NAVIGATION RULES ACT OF 1980. When properly installed, and fitted with the correct lamp, this light is approved by the U.S. Coast Guard for use aboard U.S. Coast Guard inspected vessels. This certification is also accepted by other inspecting authorities. An identification plate attached to the light provides lamp replacement and official certification information.

Upon installation, record information below from the identification plate, as applicable to the class of vessel on which the light is to be fitted.

Type of Light _____
(White Masthead)

Cat. No. _____
(1151E01)

D.O.M. No. _____
(Die Stamped)

Vessel Length _____

Replacement Lamp _____
(Cat No. of lamp)

Date of Installation _____

Vessel Identification _____

12/08
1151INS1

PERKO, INC.
16490 N.W. 13th Avenue
Miami, FL 33169-5707
www.perko.com